



STARK

STARK by M.C. Automazioni is the new vertical packaging machine to realize a wide range of different types of bags with all materials: rolled, extruded polythene, aluminates and paper; small, medium, large or extra large Doy Bag and 3-seal bags with or without Zip closure applicator.

The frame is entirely made in stainless steel AISI 304. Apart from this, all groups that constitute the machine are made of anodized aluminum alloy compatible with FDA standards. The internal gears are driven by servo motors controlled by E-cam, which grants the perfect synchronization among film pulling, jaws closing and square bottom precision.

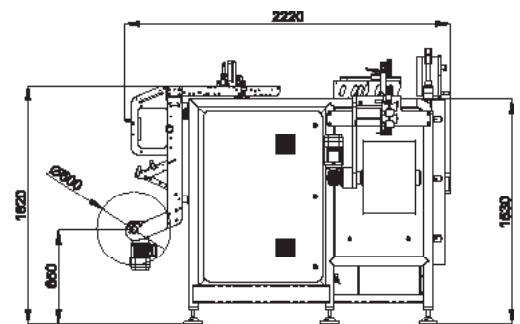
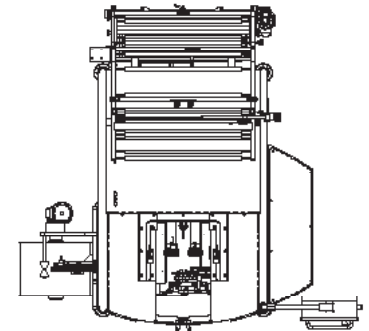
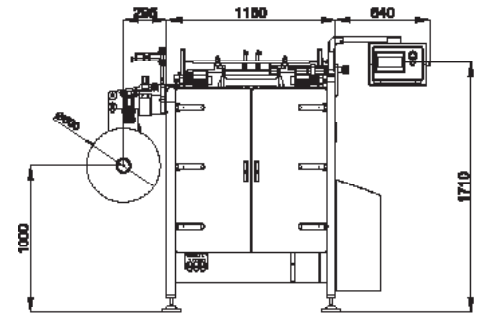
- Performances up to 140 bpm
- Stainless Steel AISI 304 as standard equipment
- Motorized jaws' rotation as standard
- Pneumatic vacuum pump on film pulling belts: less space and power consumption





Technical Data

Mechanical speed up to	140 bpm
Bag's min width	80 mm (with forming tube Ø 50 mm)
Bag's max width	410 mm (with forming tube Ø 260 mm)
Bag's max length (single pull)	350 mm (400/450 mm upon request)
Reel's min width	180 mm
Reel's max width	800 mm (830 mm upon request)
Reel's min internal Ø	76,2 mm
Reel's max external Ø	570 mm
Packaging material	Thermo-sealing materials (polyethylene, laminates, polypropylene, barrier films, net films)
Vertical sealing	Pneumatic bar
Horizontal sealing	Servo
Horizontal sealing jaws	Intermittent
Controlling system	Allen Bradley or Siemens PLC
Recipes	100
Interface	7" color touch screen
Electrical supply	220/380/400V, 50Hz
Compressed air	6 bar
Compressed air pipe	¼ diameter 8-10 mm
Compressed air consumption	300 l/min.
Installed power (without options)	4 kWatt
Structure's material	Stainless steel AISI 304
Weight	~ 800 kg



Pictures of packed products are not of promotional nature, but meant to stand as examples of different packaging types. Not all represented products were packed by M.C. Automazioni s.r.l. or by Sigitaspak s.r.l.

Options

- Gas injection for ATM packaging
- Printer
- Vacuum chamber
- Brushless square bottom device
- Stabilo device
- Doypack forming unit
- Longitudinal zip applicator
- Euroslot
- Perforation pattern for easy opening
- Many others upon request